

D PURE

BLUETOOTH OVER EAR HEADPHONE



User manual

CONTENT

GENERAL

Welcome to the Dockin family!.....	4
Features	5
Technical Specifications.....	5

SAFETY

Reading and storing the user manual.....	6
Explanation of symbols and terms.....	6
Proper use.....	7
Safety Notes.....	8

OPERATION

Controls.....	12
Pair your headphone.....	13
Unpair your headphone	13
Standby mode	13
Power off	14
Volume up / Next track.....	14
Volume down / Previous track	14
Incoming calls.....	14
Usage and charging	15
Bluetooth and AUX Input.....	15
Status LED.....	15
Declaration of conformity	16
Manufacturer information and service	16
Disposal.....	17
FCC	18

WELCOME TO THE DOCKIN FAMILY!

About DOCKIN

Honesty and authenticity are at the core of what we believe in. Both are incorporated into our daily work and are therefore an integral part of DOCKIN as a brand and our products.

We meet the challenge of a new, young brand in the rather conservative audio market head on. Being on the frontier of technology, delivering products for a better life and better sound for our entire community — whether it is through our products, our customer service or through reaching out to you in other ways.

OUR MISSION

We put our passion into audio concepts that enhance your experience of unique sound in your flexible and mobile life – anytime and anywhere! First-class workmanship and a captivating sound are always in the centre of our focus.

PASSION FOR SOUND

... is more than just flakey marketing speak. Our team consists of people with strong backgrounds in audio and a passion for sound and aesthetics. The love for music, sound and technology unites our team and makes our products unique in the audio landscape.

You can learn even more about us at www.dockin.de/about! Here are some curated playlists for you, which you can listen to there and on Spotify. Just come over and take a look!



Spotify:
dockin_de



Instagram:
dockin_de



Facebook:
DOCKIN

FEATURES

- » 40mm High-Quality Active Driver
- » 20Hz - 20kHz Frequency
- » Sensitivity 98 +/- 3dB
- » Hands-free calling with Clear Voice Capture
- » 3 Button Control Interface
- » Up to 38 hours Playtime
- » Charging Time <3 hours
- + Carry bag
- + Aux Cable
- + USB Type-C charging Cable

TECHNICAL SPECIFICATIONS

Standby	< 250 h
Cable Length	120cm
Weight	260 g
Charging Time	<3 h
Color	black
Connection	Bluetooth 5.0, 3.5mm Aux, USB Type-C

READING AND STORING THE USER MANUAL



This user manual for your D PURE Bluetooth® speaker (hereinafter referred to only as “D PURE”) contains important information about safety and handling.

Therefore, read the user manual carefully before using the D PURE and also store it in a safe place for future reference. If you do not observe the information in the user manual, in particular the safety notes, this may result in damage to property and, in the worst case, even injury to persons. If you pass your D PURE on to someone, make sure to also include this user manual.

This user manual is based on the standards and rules in force in the European Union. When abroad, also be sure to observe the country-specific guidelines and laws.

You can download this user manual as a PDF file at **www.dockin.de** under **Support**.

EXPLANATION OF SYMBOLS AND TERMS

Here, you will find a list of the safety-relevant symbols and terms, which are used in this user manual, on the D PURE or on its packaging.



WARNING

This combination of a warning symbol and term indicates a moderate risk, which, if not avoided, may result in death or severe injury.

NOTICE

This signal term warns you of potential damage to property.



Declaration of conformity (see chapter “Declaration of conformity”): This symbol indicates products that fulfil all applicable Community regulations in the European Economic Area.



This symbol certifies that the radiated electromagnetic interference of the device is under the limit approved by the US Federal Communications Commission.



Intertek

ETL Listed test seal: Products labelled with this symbol meet the requirements of electrical product safety of the United States of America.



The wall adapter may only be used indoors.

PROPER USE

The D PURE is designed as a speaker for private use. It is not suitable for commercial use. You can connect to a source device of your choice in the following ways: You can connect the source device to the D PURE via Bluetooth® 5.0, EDR or using an AUX cable.

The D PURE also has a power bank function, that is, you can also connect suitable external devices to the D PURE and charge them using the integrated rechargeable battery of the D PURE.

The power cable contained in the package contents is designed for charging the D PURE. If you want to charge an external device on the D PURE using the power bank function, you may, depending on the respective external device, need an additional cable that is not included in the package contents.

Only use the D PURE as described in this user manual. Any other use is deemed improper and may result in damage to property or even injury to persons. The D PURE is not a children's toy.

The manufacturer or vendor accepts no liability for damage caused by improper or incorrect use.

SAFETY NOTES



WARNING

Risk of electrical shock!

Improper handling, incorrect electrical installation or excessive mains voltage may result in an electrical shock.

- Make sure that the mains voltage of the socket corresponds to the specification on the rating plate if you connect the D PURE to it for charging purposes.
- Make sure that the socket that you connect the D PURE to is readily accessible so that you can quickly disconnect the D PURE from the mains supply in the event of a fault.
- Only use the power cable contained in the package contents to charge the D PURE.
- Stop using the D PURE if it exhibits visible damages or if the power cable or its connector plug is defective.
- Do not in any case open the housing of the D PURE. Instead, contact a qualified workshop for repairs. Liability and warranty claims are excluded in the event of repairs performed by yourself, improper connection or incorrect operation.
- Only parts that comply with the original device data may be used for repairs. There are electrical and mechanical parts in the device which are necessary in order to avoid exposure to sources of danger.
- Do not in any case submerge the D PURE and the power cable in water or other liquids.
- Do not use the D PURE in the rain or in wet rooms.
- Make sure that the D PURE and the power cable do not come into contact with open flames and hot surfaces.
- Make sure that the power cable is not kinked and do not lay it over sharp edges.
- Disconnect the D PURE from the power supply once it is fully charged, before you clean the D PURE or if a fault occurs.
- Immediately disconnect any external devices connected to the D PURE if a fault occurs.



WARNING

Risk of explosion and fire!

Improper handling of the D PURE can cause the integrated rechargeable battery to explode or cause a fire.

- Do not subject the D PURE to excessive warmth or heat such as direct sunshine, fire or similar.

Only use the power cable contained in the package contents to charge the D PURE.



WARNING

Danger of chemical burns!

Leaked battery fluid can cause chemical burns if it comes into contact with the skin or other parts of the body.

- If you notice that battery fluid is leaked, be absolutely sure that it does not come into contact with your skin, eyes or mucous membranes. If you have accidentally come into contact with battery fluid, immediately rinse the affected areas with plenty of clean water and promptly contact a physician.
- Be absolutely sure to use protective gloves in the event of a leaked rechargeable battery and remove any battery fluid that has leaked with a dry, absorbent cloth.



WARNING

Risks to certain groups of persons!

- The D PURE may be used by children ages eight and over as well as persons with impaired physical, sensory or mental capacities or those lacking experience and knowledge if they are supervised or have been instructed in how to safely use the D PURE and have understood the risks associated with operating it. Children must not play with the D PURE. Cleaning and user maintenance must not be performed by unsupervised children.
- Make sure that children do not play with the packaging material or the D PURE.

- Keep children under the age of 8 away from the D PURE and the power cable.
- Keep the D PURE out of the reach of children.
- Do not leave the D PURE unattended while charging an external device.



WARNING **Health hazard!**

During operation, the D PURE generates magnetic fields, which can interfere with the functioning of medical devices such as pacemakers. Using the D PURE in certain locations can also result in faults or accidents.

- Always keep a distance of at least 10 cm between the medical device and the D PURE. If necessary, consult your physician if you have any questions.
- Do not use the D PURE in environments where there is a risk of explosion.
- Make sure that you only use the D PURE where wireless transmissions are permitted.



WARNING **Risk of hearing loss!**

Listening at a high volume for prolonged periods poses a risk of hearing loss.

- Avoid listening at a high volume for a prolonged period of time.
- Make sure that you maintain adequate distance to the D PURE and never hold your ear up to one of the speakers.
- Set the volume on the source device to a low level before starting playback on the D PURE. If you set the source device to full volume, very high noise pressure may result, which may not only inflict organic damage, but also have psychological effects. Children and pets are particularly at risk in this respect.

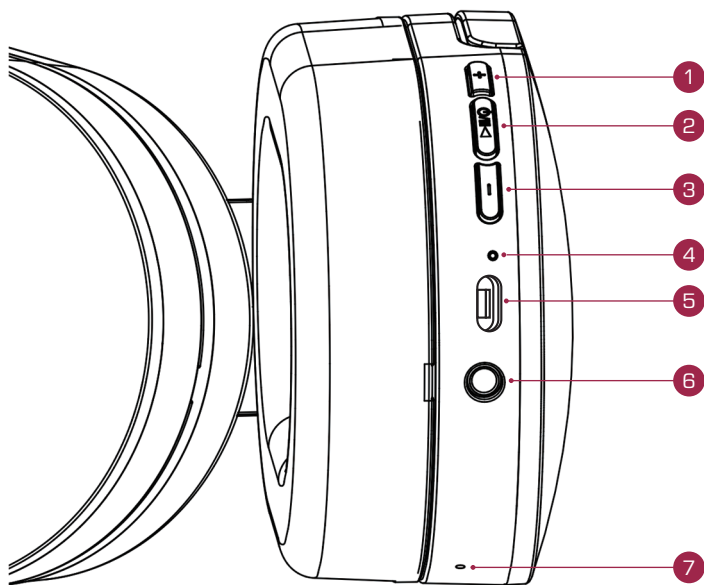
NOTICE

Risk of damage!

Improper handling can cause damage to the D PURE.

- Do not place the D PURE on or near hot surfaces (stovetops, heaters etc.).
- Do not allow the power cable to come into contact with hot parts.
- Fully recharge the D PURE approximately every six months, even if you are not using the D PURE at all or only irregularly.

CONTROLS



- 1 Short Press: Volume up / Long Press: Next Track
- 2 Multifunctions Button / Pairing Button
- 3 Short Press: Volume down / Long Press: Previous Track
- 4 Status LED
- 5 USB Type-C Charging Port
- 6 AUX Input
- 7 Microphone for handsfree

PAIR YOUR HEADPHONE:

- Press the multifunction button **2** for approx. 3 seconds when the headphones are switched off and the headphones switch to pairing mode. You will hear the message “Power on” and the status LED **4** will flash alternately red and blue!
- Turn on your mobile device and activate Bluetooth to pair it with your new headphones.
- **Focus Pairing:** If you want to pair a second device, simply unpair the current device. This prevents the sound from reaching the wrong device.

UNPAIR YOUR HEADPHONE:

- Press and hold the “Volume up” **1** and “Volume down” **3** buttons for approx. 4 seconds to disconnect the headphones from your mobile device.
- The status LED **4** then flashes alternately red and blue and the message “Your device is disconnected” sounds. Your headphones are now back in pairing mode.

STANDBY MODE:

- Your headphones switch to standby mode after 5 minutes of idle time if they are not connected to an audio source (smartphone, notebook, etc.).
- Press the multifunction button **2** a little longer (approx. 3 sec.) to switch the headphones back on and start them automatically with your already paired mobile device.

POWER OFF

- Press the multifunction button **2** a little longer (approx. 3 sec.) to switch off the headphones completely.

Then the power status LED will turn off immediately.

VOLUME UP / NEXT TRACK:

- Short Press Button **1**: Volume up by one level
- Highest Volume Level reached: You will hear a prompt tone
- Long Press Button **1**: Next Track

VOLUME DOWN / PREVIOUS TRACK:

- Short Press Button **3**: Volume down by one level
- Lowest Volume Level reached: You will hear a prompt tone
- Long Press Button **3**: Previous Track

INCOMING CALLS:

- The music will be muted for incoming calls.
- Receiving incoming calls: Press the multifunction button **2** once
- To end a call: Press the multifunction button **2** once
- Reject incoming call: Long press the multifunction button **2**
- Redial the last phone number dialed: Double click the multifunction button **2**




USAGE AND CHARGING

- The rechargeable battery is built into the device. Fully charge the headphones before first use.
- Battery Low: A voice message is heard "Battery is too low" and the status LED turns red. In that case, please charge your headphones as soon as possible.
- The headphones must be turned off to charge. Insert the charging cable into the charging port. During charging, the Power Status LED turns red and changes to green when the headphones are fully charged.

BLUETOOTH AND AUX INPUT

- The headphones can be used via Bluetooth as well as via AUX connection.
- When the jack cable is plugged into the AUX port, the Bluetooth connection is automatically disabled and the device turns off.
- While using the AUX connector, the Bluetooth connection is always disabled.
- When the battery is empty, the headphones can be used for music listening via the AUX port.

STATUS LED

- LED  flashes alternately red and blue: Headphones are in pairing mode.
- LED  lights up continuously blue: Headphones are connected to an audio source without using it.
- LED  flashes blue every 5 seconds: Headphones are connected

to an audio source and it is in use.

- LED **4** flashes blue every 2 seconds: Headphones and audio source are too far apart (max. 10m).

DECLARATION OF CONFORMITY

Stage10 GmbH hereby declares that the D PURE radio system described in this user manual complies with the Directive 2014/53/EU.

The full text of the EU declaration of conformity is available at the following Internet address:

<https://support.dockin.de/hc/de/articles/360003225600-EU-Konformitaet>

MANUFACTURER INFORMATION AND SERVICE

If you have questions regarding the D PURE or if any problems occur during operation or similar, first contact the following body via e-mail:

info@dockin.de

DOCKIN is a trademark of Stage10 GmbH
Oranienburger Str. 45 | 10117 Berlin

DISPOSAL

Disposing of the packaging



Dispose of the packaging sorted into single-type materials:

- Paperboard and cardboard for recycled paper
- Films in the recyclable material collection service

Disposing of the device

(Applicable in the European Union and other European states with systems for the separate collection of reusable waste materials)



Old devices must not be disposed of with household waste!

If the D PURE is no longer operational, every consumer is **required by law to dispose of used devices separately from household waste**, e.g. at a collection point run by the communal authority/borough. This ensures that old devices are recycled in a professional manner and also rules out negative consequences for the environment. For this reason, electrical equipment is marked with the symbol shown here.



Batteries and rechargeable batteries do not belong in the household garbage!

As the end user you are required by law to bring all batteries and rechargeable batteries, regardless whether they contain harmful substances* or not, to a collection point run by the communal authority or borough or to a retailer, so that they can be disposed of in an environmentally friendly manner.

Bring the D PURE (together with the rechargeable battery) to your collection point and make sure that it is in an uncharged state!

* labelled with: Cd = cadmium, Hg = mercury, Pb = lead

FCC

This device complies with Part 15 of the FCC Rules. Operation is subject to the following two conditions: (1) this device may not cause harmful interference, and (2) this device must accept any interference received, including interference that may cause undesired operation.

Changes or modifications not expressly approved by the party responsible for compliance could void the user's authority to operate the equipment. This equipment has been tested and found to comply with the limits for a Class B digital device, pursuant to Part 15 of the FCC Rules. These limits are designed to provide reasonable protection against harmful interference in a residential installation. This equipment generates, uses and can radiate radio frequency energy and, if not installed and used in accordance with the instructions, may cause harmful interference to radio communications. However, there is no guarantee that interference will not occur in a particular installation.

If this equipment does cause harmful interference to radio or television reception, which can be determined by turning the equipment off and on, the user is encouraged to try to correct the interference by one or more of the following measures:

- Reorient or relocate the receiving antenna.
- Increase the separation between the equipment and receiver.
- Connect the equipment into an outlet on a circuit different from that to which the receiver is connected.
- Consult the dealer or an experienced radio/TV technician for help.

DOCKIN

FCC ID: 2A0NQ-DPURE16019

